

Stephen H Anatomical

Multifunctional chair



SEATING

Frequent Usage

Chemotherapy
Infusions Therapy
Day Hospital
Blood donor
Blood samples
Emergency
Dialysis
Patient transport
Dermatology
Cosmetics
Multifunctional



Hight
COMFORT

Inpatient and outpatient treatment



www.gardhenbalance.it



Standard features

Cushions fully removable
to facilitate the activities
of sanitising the device



Support for the handet
placed bilaterally on the
armrests. equipment
code AC25P





Standard features

Multi-adjustable ergonomic armrests



Solidal to the Backrest



Rotating



Tilttable



Overturned at 90°





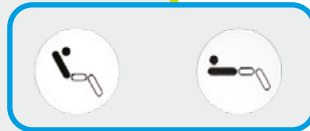
GB Touch

Control panel for electrical movements

The movements of the synchronised back and leg sections are controlled by dedicated buttons on the handset..



Activated by
Handset



Movements simultaneous
of the back and leg sections



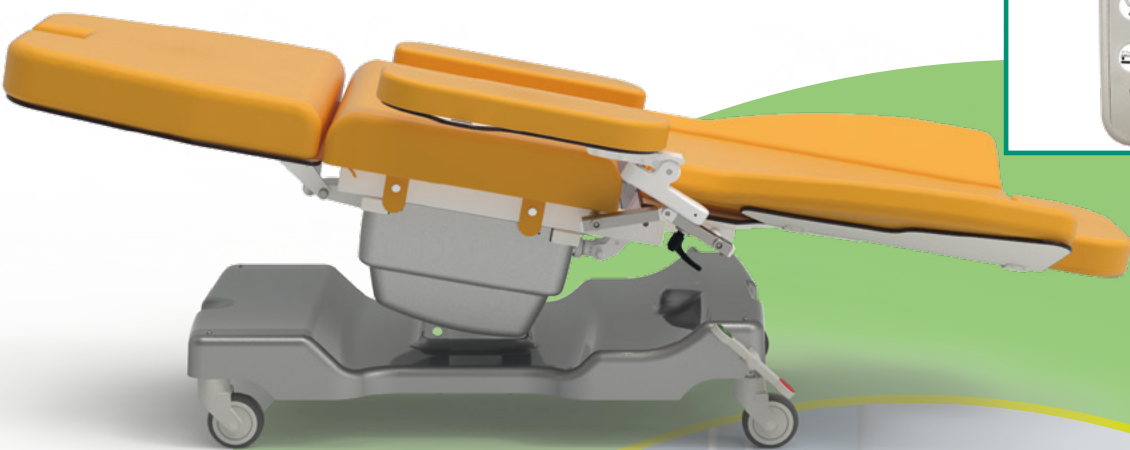


Movements

Trendelenburg

The Trendelenburg position can be obtained using the dedicated buttons on the handset.

Activated by
Handset



Recliner

Another example of movement





Other features of the medical device

- Painted steel frame in thermosetting powder
- Lying surface divided in 4 sections (headrest, backrest, seat and leg).
- Independent movements and/or simultaneous of the back and leg sections - Equipment code AC12
- Trendelenburg position
- Headrest joint to the backrest.
- Servo-assisted Ergonomic Armrests adjustable by the patient:
 - tilting
 - rotation
 - inclination
- No. 4 wheels \varnothing 100 mm antistatic, sturdy, stainless and swivable.
- Simultaneous brake on rear wheels in chromed steel - Equipment code AC7P1G.
- Chair's movements are controlled by handset with a 3,5 mtl coiled cable. The handset is user friendly and has visual pictograms useful for partially sighted people. Handset is equipped by 10 buttons with 2 memories.
For patient's safety purpose the handset is provided with an inhibition key - Equipment code AC34P. Insulation IP66.
- Bilateral handset support - Equipment code AC25P.
- ABS base cover - Equipment code AC83.
- ABS seat cover - Equipment code AC84.
- Easily removable soft foam independent cushions. Upholstery in flame retardant leatherette UNI 9175/87 e 9175FA-1/94 class 11M - Equipment code AC87/1.

Do you want to change the colour of the upholstery and frame?

Frame or click the QR codes and discover how to personalise your device by consulting our colour cards*.

*If no preference is expressed, the device will be delivered in the available colour.

Upholstery
Leatherette

Coating
Silicon

Frame



Do you want to improve the device?

Scan the QR Code to find out all the available accessories listed on our catalogue.



Technical sheet

CND/EMDN code	V08020101
GMDN Code	38447
N. progressive/R	2232817/R
UDI-DI di Base	805771740POLPE
ID Product	GB0001.SP Painted steel GB0001.SS Stainless
Inteded use	Multifunctional chair
Manufacturer	GARDHEN BILANCE SRL
Overall weight	70 kg
Wheels	No.4 Ø 100 mm swivable and stainless with braking system
Power	100 - 240 Vac 50/60 Hz
Electric motors	Low voltage 24 (Volt)
Max electrical input	4A
Insulation	IP44
Max load	200 kg
Safety working load	235 kg

Main cord



Type F
Schuko



Type L
16A



Type I
Australia



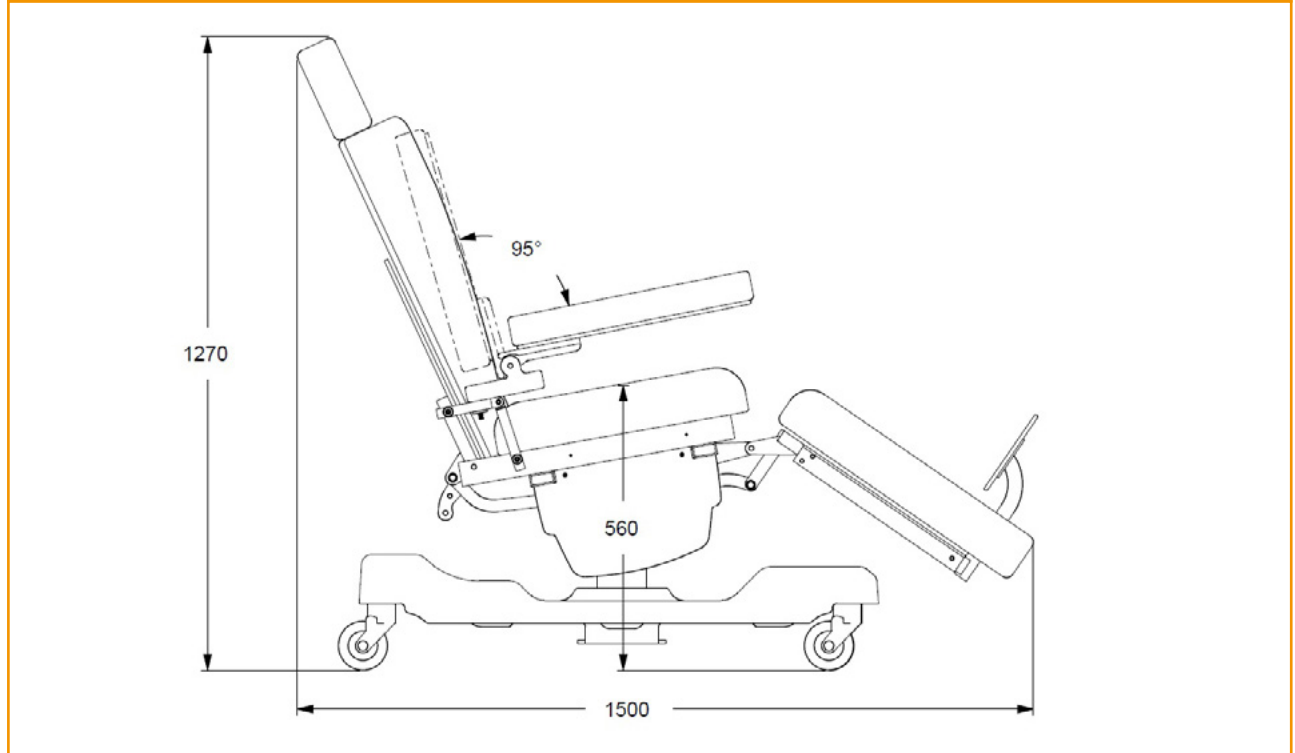
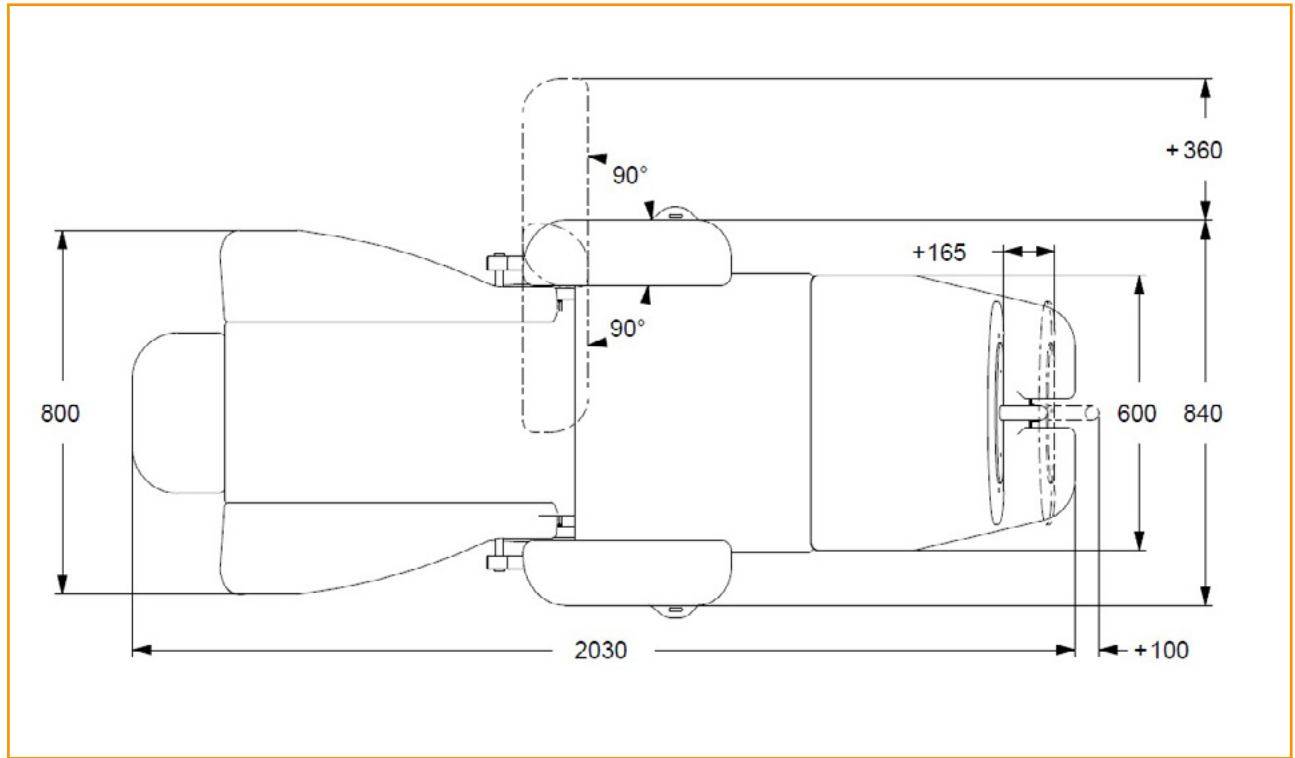
Type B
Canada and USA



Type G
UK plug



Dimensions



www.gardhenbalance.it



Gardhen Balance S.r.l.

Via G. Luraghi c/o Consorzio Il Sole - lotto S - 80038
Pomigliano d'Arco (NA) - Italy

Tel. +39.081.8692160 pbx - Fax +39.081.8692460

E-mail: info@gardhenbalance.it

PEC: gardhenbalance@pec.it

Pictures contained in this brochure is for illustrative purpose only. The manufacturer reserves the right to modify the projects without notice. For accessories identification please refer to the accessory catalogue or commercial offer. When data are different please refer to commercial offer.

Dep. EN_66 rev. 22/04/2024

